

SERVICE PARTS LIST FOR MITSUBISHI ELECTRIC PACKAGED AIR-CONDITIONERS

Series **PUHY-P-YMF-B**

For use with the R407C

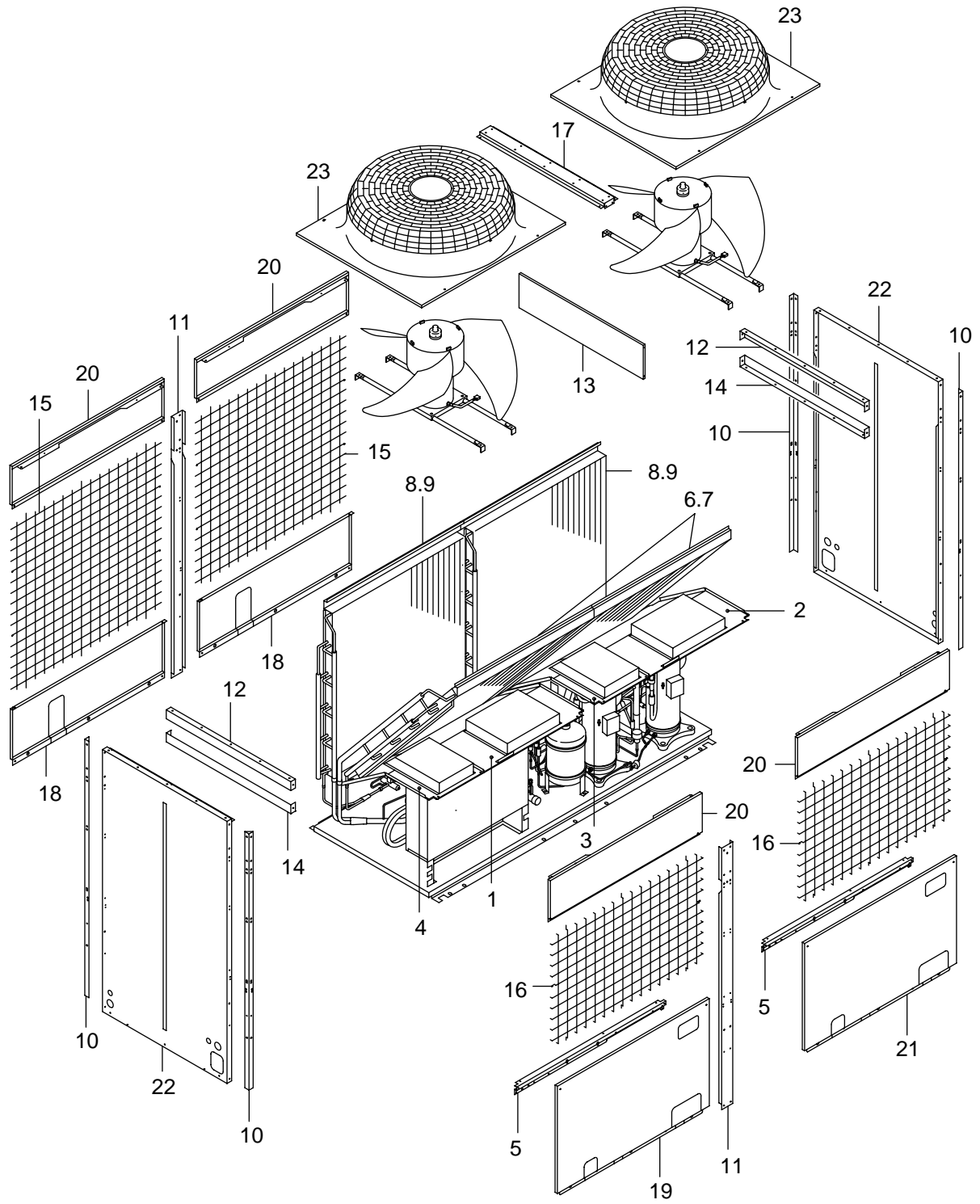
REVISED
Jul. 2001

INDEX

P U H Y - P 4 0 0 Y M F - B

P U H Y - P 5 0 0 Y M F - B

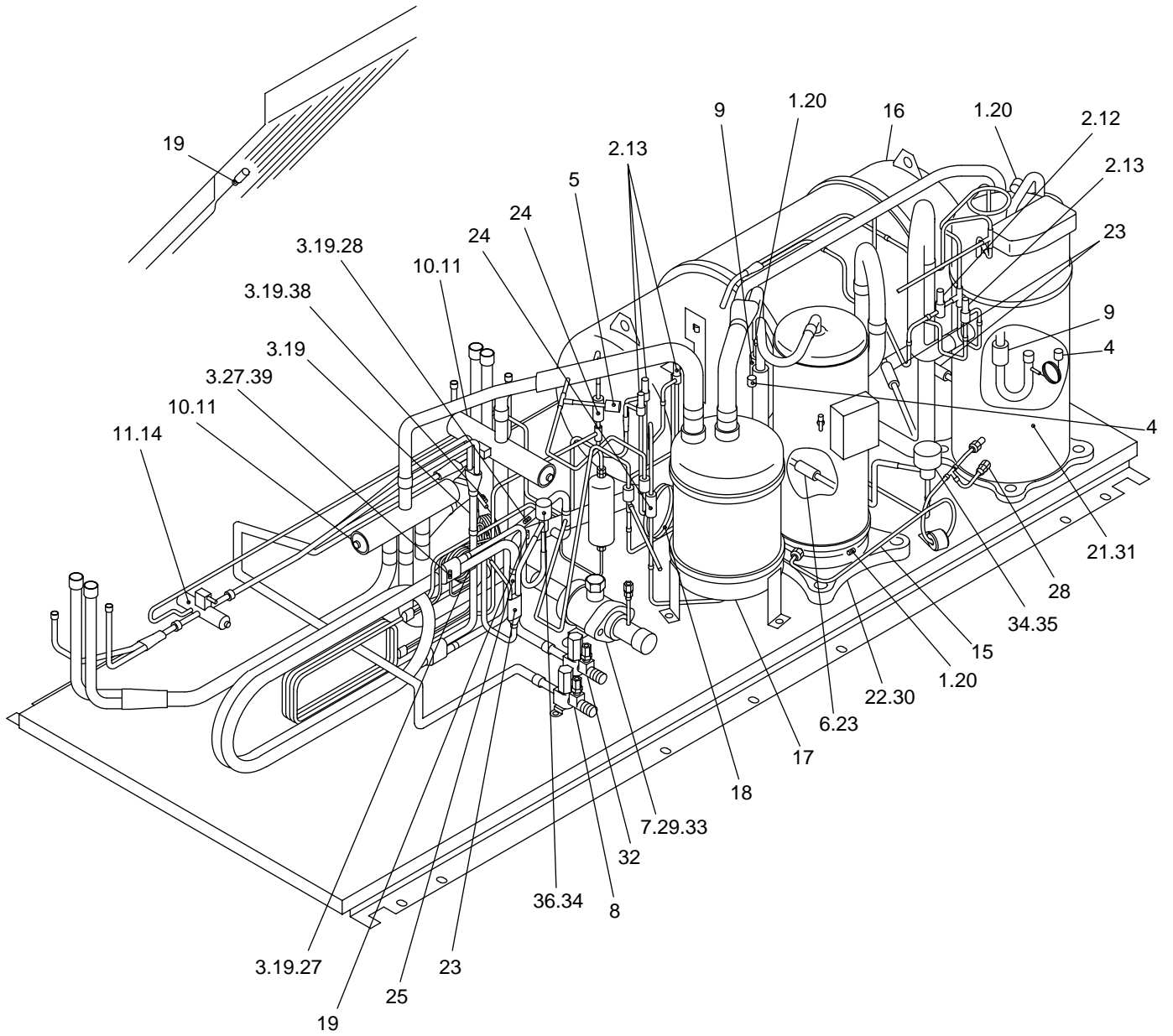
PUHY-P400YMF-B
PUHY-P500YMF-B
EXTERNAL PARTS



PUHY-P400YMF-B
PUHY-P500YMF-B
EXTERNAL PARTS

No.	Part No.	Part Name	Dwg. No.	Q'ty / Set				Spec.	Price
				-P400 YMF-B	-P500 YMF-B				
1	R61 E66 667	Partition board R ass'y	W624525G07	1	1			(L)	
2	R61 E66 668	Partition board R ass'y	W624525G13	1	1			(R)	
3	R61 E66 657	Partition board L ass'y	W624526G18	1	1			(R)	
4	R61 E66 658	Partition board L ass'y	W624526G09	1	1			(L)	
5	R61 A42 659	Front panel	W615888H14	2	2				
6	R61 H13 409	Heat exchanger ass'y F	W125262G03	2				P450	
7	R61 K08 409	Heat exchanger ass'y F	W125264G04		2			P560	
8	R61 H13 481	Heat exchanger ass'y B	W125263G03	2				P450	
9	R61 K08 481	Heat exchanger ass'y B	W125265G04		2			P560	
10	R61 E66 626	Stay LR	W623716H01	4	4				
11	R61 E66 627	Stay M	W623717G07	2	2				
12	R61 E66 669	Reinforcement LR	W861181H01	2	2				
13	R61 E66 674	Reinforcement M	W861182H01	1	1				
14	R61 E66 673	Reinforcement ass'y	W862321G01	2	2				
15	R61 A42 638	Guard B ass'y	W265789G01	2	2				
16	R61 E66 611	Guard F ass'y	W265788G01	2	2				
17	R61 E66 125	Motor leg	W623718G01	1	1				
18	R61 A42 677	Panel B ass'y	W857426G13	2	2				
19	R61 F62 654	Panel F	W623719G07	2	2				
20	R61 E69 652	Panel FU ass'y	W633746G01	4	4				
21	R61 E66 652	Panel F ass'y	W862323G05	1	1				
22	R61 F48 661	Panel S	W255097G05	2	2				
23	R61 A52 118	Fan guard	W123195G01	2	2			With the Drum	

PUHY-P400YMF-B
 PUHY-P500YMF-B
 FUNCTIONAL PARTS

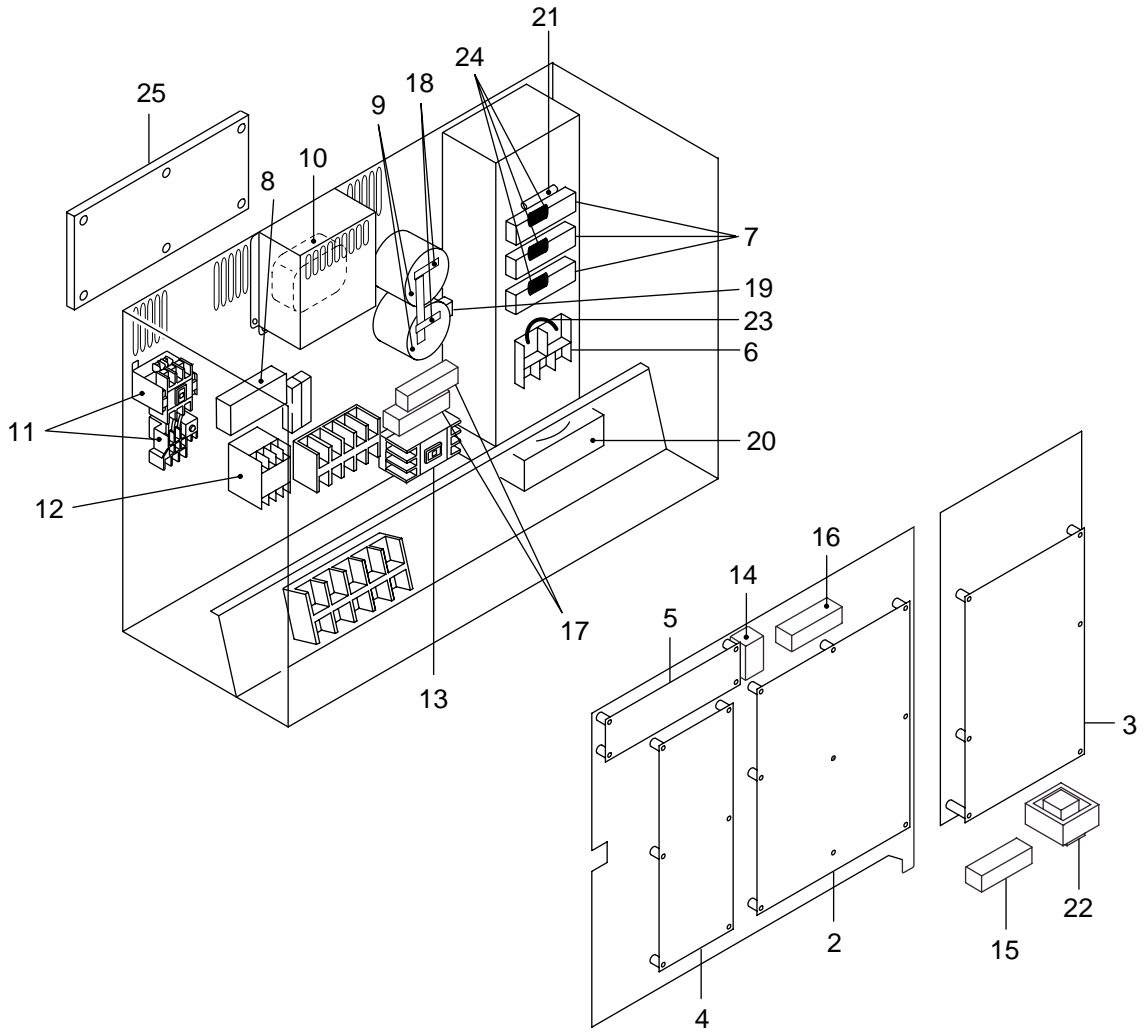


PUHY-P400YMF-B
 PUHY-P500YMF-B
 FUNCTIONAL PARTS

No.	Part No.	Part Name	Dwg. No.	Q'ty / Set				Spec.	Price
				-P400 YMF-B	-P500 YMF-B				
1	R11 347 865	L.TH spring	DU38D120H03	3	3				
2	R61 Y04 243	200V coil type NEV	P631205X01	5	5		<SV1,4,6>		
3	R13 658 276	TH spring	BC38D815H01	8	8				
4	R61 Y08 208	Pressure switch ass'y	W872429G01	2	2		<63H1,2>		
5	R61 331 288	Pressure sensor	P419110X01	1	1		<63HS>		
6	R61 Y04 237	Liquid level detecting heater ass'y	W872422G01	1	1		<CH2,3>		
7	R61 Y03 494	Pipe ass'y	W883580G03	1	1				
8	R61 F14 410	Ball valve	P636220X01	1	1		1/2		
9	R61 F14 418	Check valve	P639130X01	2	2				
10	R61 E37 154	Four way valve	P633101X01	2	2		VH60100		
11	R61 Y03 242	Four way valve coil	P633078X01	3	3		(Two way valve) <SV5B,21S4>		
12	R61 670 232	Solenoid valve	P631148X01	1	1		(NEVL-202DXF) <SV2>		
13	R61 435 232	Solenoid valve	P631807X02	4	4		(NEV-202DXF) <SV1,3,4,6>		
14	R61 E66 421	Two way valve	P631214X02	1	1		VR40101		
15	R61 H13 485	Equalizer ass'y	W633751G02	1	1				
16	R61 K70 484	Accumulator ass'y	W266503G08	1	1				
17	R61 Y03 487	Oil separator	W266568G02	1	1				
18	R61 F62 425	Capillary tube ass'y	W861175G02	1	1		<1.6X3.2-700>		
19	R61 670 202	Thermistor	P425496X01	8	8		(NTH3A14) <TH3~9>		
20	R61 911 202	Thermistor	P425416X02	3	3		<TH10,11,12>		
21	R69 964 478	Scroll compressor	EP10034G02	1	1		ZEC165YAA-J		
22	R69 962 478	Scroll compressor	EP10013G07	1	1		HEV92FA1-YJ		
23	R61 A42 454	Strainer	W882823G01	4	4				
24	R61 155 454	Strainer	W882822G01	3	3				
25	R61 Y02 454	Strainer	W858399G01	1	1				
26	R61 A42 287	Sensor cover EVA	P227170X01	1	1		6.35D		
27	R61 A45 287	Sensor cover EVA	P227171X01	1	1		12.7D		
28	R61 F14 413	Check joint	P639131X01	3	3				
29	R61 K50 514	Packing	W881519H01	1	1				
30	R61 Y07 237	Belt heater	P493781X01	1	1		(200V45W) <CH11>		
31	R61 Y08 237	Belt heater	P493782X01	1	1		(200V56W) <CH12>		
32	R61 H13 410	Ball valve	P636233X01	1	1		5/8		
33	R61 Y04 410	Ball valve	P636254X02	1	1		1-1/4VB-12FJM		
34	R61 G48 401	Linear expansion valve	P632342X01	2	2		DKV-18D125		
35	R61 E66 401	Linear expansion valve coil	P632312X01	1	1		<SLEV>		
36	R61 A45 401	Linear expansion valve coil	P632299X01	1	1		<LEV1>		
37	R61 E66 779	Rod holder	S452002H09	4	4		3771		
38	R61 G03 287	Sensor cover	P227223X01	1	1		EVA(9.52D)		
39	R61 F14 200	Thermistor	P425565X01	1	1		<TH2>		
40	R61 800 202	Thermistor	P425494X01	2	2		<TH10a,10b>		

[No.] : For use with R407C

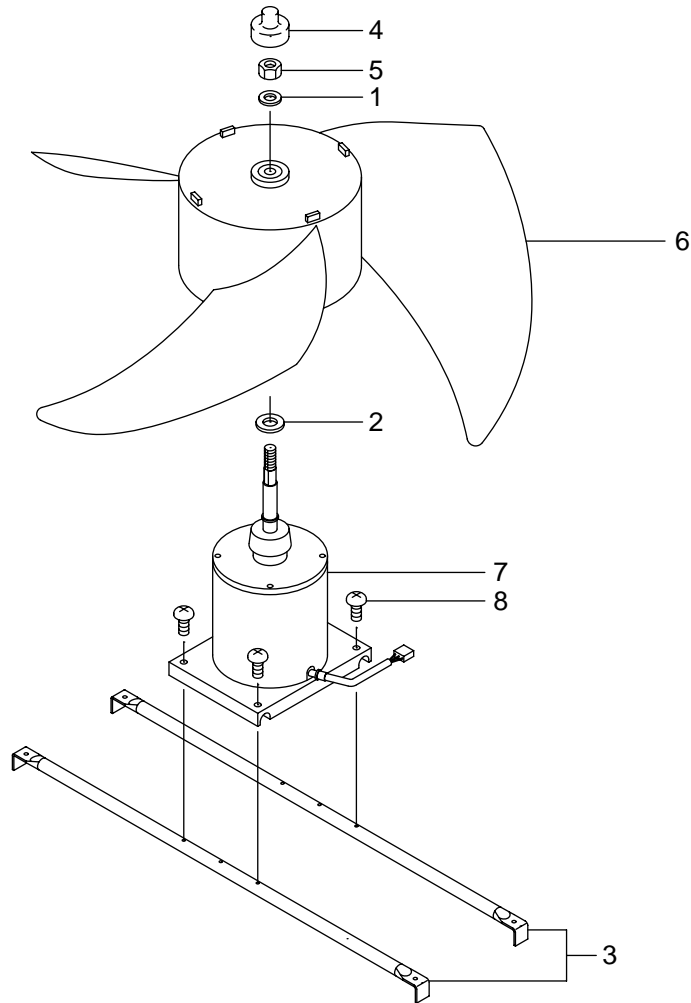
PUHY-P400YMF-B
PUHY-P500YMF-B
CONTROL BOX PARTS



PUHY-P400YMF-B
 PUHY-P500YMF-B
 CONTROL BOX PARTS

No.	Part No.	Part Name	Dwg. No.	Q'ty / Set				Spec.	Price
				-P400 YMF-B	-P500 YMF-B				
1	R61 Y14 321	Inverter 500YMF-B	W266239G10	1	1			*Control box ass'y	
2	R61 Y59 280	Main board	W266235G06	1	1			(P) superY	
3	R61 Y51 280	INV board	W629573G01	1	1				
4	R61 Y47 280	FANCON board	W629556G01	1	1				
5	R61 Y60 280	Relay board	W629574G02	1	1				
6	R61 Y05 320	Diode	P414109X01	1	1			6R175G-160	
7	R61 Y01 320	Transistor	P414083X01	3	3			2D175M-120	
8	R61 Y04 320	Thyristor	P414107X01	1	1			PFB15AA120	
9	R61 Y17 252	Condenser	P412248X01	2	2			400WV 3300μF	
10	R61 A32 259	Reactor	P419053X01	1	1			1.92mH/34A	
11	R61 Y24 225	Magnetic starter	S427019H37	1	1			MSO-N35ARFS (AC230V 29A(27.0A))	
12	R61 Y06 225	Magnet contactor	S427017H03	1	1			S-N10	
13	R61 Y19 225	Magnet contactor	S427017H31	1	1			S-N18 AC230V	
14	R61 Y14 260	Transformer	P715302X01	1	1			240V/40V	
15	R61 670 234	Resistor	P411113X01	1	1			30W 22Ω	
16	R61 A42 234	Resistor	W237975K23	1	1			40W 110Ω	
17	R61 Y05 234	Resistor	P411133X01	2	2			40W 5kΩ	
18	R61 Y02 234	Resistor	P411126X01	2	2			10W 33kΩ pitch=32	
19	R61 A42 289	DCCT	P419079X02	1	1			HC-TN131V42XP12F	
20	R61 Y02 300	Fan	P712360X01	1	1			109S025UL	
21	R61 375 201	Thermistor	P414092X01	1	1			181-503-97128	
22	R61 Y02 244	Choke coil	P419121X01	1	1			1A 30mH	
23	R61 Y12 252	ZNR+C	P412226X01	1	1				
24	R61 Y11 252	Condenser	P412227X01	3	3				
25	R61 Y08 293	Noise filter	P419147X01	1	1			VF4030C-MX2	

PUHY-P400YMF-B
 PUHY-P500YMF-B
 BLOWER PARTS



No.	Part No.	Part Name	Dwg. No.	Q'ty / Set				Spec.	Price
				-P400 YMF-B	-P500 YMF-B				
1	R61 A42 136	Washer	P562006X01	2	2			17X32	
2	R61 A45 136	Washer	P562007X01	2	2			20.5X40	
3	R61 A42 140	Fan stand	W856127G05	4	4				
4	R61 A69 086	Cap	P221056X01	2	2				
5	R61 A42 122	Nut 16	P541016X01	2	2				
6	R61 E66 115	Propeller fan	W872619G01	2	2			750D	
7	R61 Y84 220	Motor	P714535X03	2	2			(TD380VA) <MF2,3>	
8	R61 E90 087	Screw	P521020X01	8	8			6X14	

